

SECTION #5
OUTGOING SECTION

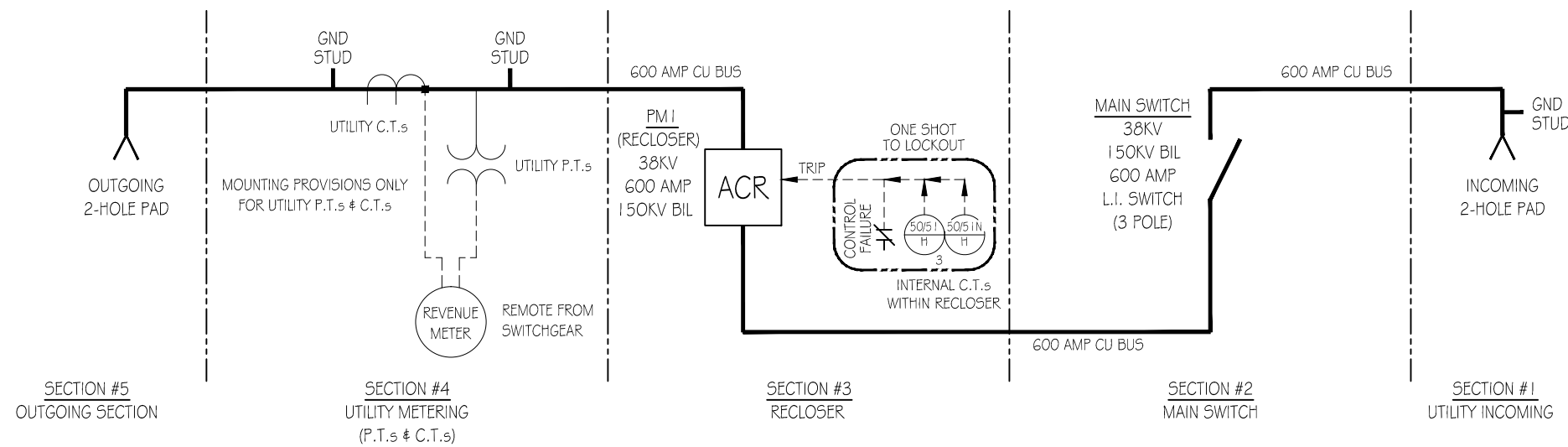
SECTION #4
UTILITY METERING
(P.T.s & C.T.s)

SECTION #3
RECLOSER

SECTION #2
MAIN SWITCH

SECTION #1
UTILITY INCOMING

PLAN VIEW



SECTION #5
OUTGOING SECTION

SECTION #4
UTILITY METERING
(P.T.s & C.T.s)

SECTION #3
RECLOSER

SECTION #2
MAIN SWITCH

SECTION #1
UTILITY INCOMING

SINGLE LINE DIAGRAM

FOR INFORMATION ONLY
NOT FOR CONSTRUCTION

NO.	DATE	REVISION	BY:

PROPRIETARY NOTE:
THIS DRAWING CONTAINS PROPRIETARY INFORMATION OF JAGG ELECTRICAL & CONTROL. THIS PROPRIETARY INFORMATION MAY NOT BE USED, REPRODUCED, OR DISCLOSED TO ANY OTHER PARTIES FOR ANY OTHER PURPOSE WITHOUT THE EXPRESSED WRITTEN PERMISSION OF JAGG ELECTRICAL & CONTROL.

CUSTOMER:

PROJECT:
SAMPLE

SERVICE ENTRANCE, METAL-ENCLOSED,
NON-WALKIN, OUTDOOR SWITCHGEAR
23KV, 560 AMP, 150KV BIL



4870 PACKARD ROAD, NIAGARA FALLS, NY, 14304
PHONE: (716) 278-1440 WEB: JAGGEC.COM

CHECKED BY: GMG

DRAWN BY: J. AGNELLO

DATE: 10/11/11 SHEET: 1

DRAWING #: SAMPLE

FOR INFORMATION ONLY
NOT FOR CONSTRUCTION